

# SERVICE MANUAL

---

DVD COLOR TELEVISION

BASIC DVD MECHANISM : AZG-D ZDBOM

---

Replace this Service Manual with "Revision Publishing" when it is issued.

If requiring information about the DVD mechanism, see Service Manual of AZG-D,  
S/M Code No.09-00A-350-6N4.

# ELECTRICAL MAIN PARTS LIST - 1

NOTE: The characters in the suffix column indicate the part usage.

REF.NO	PARTS NO.	NO.	DESCRIPTION	SUFFIX
	87-067-680-010		BVI T3+3-10	A.....
	87-B10-090-010		BVIT3B+3-12 GOLD	A.....
C	805		CAP,CER 3300P-250NS	A.....
C	809		CAP, CER 1000P-50V	A.....
C	807		CAP,E 220-400 SMH (25.4*40)	A.....
C	806		CAP,CER 1500P-250 M E ECKD	A.....
C	804		CAP,CER 1500P-250 M E ECKD	A.....
C	810		CAP, ELECT 100-25V	A.....
C	818		CAP,E 100-160 M TWSS	A.....
C	811		CAP, CER 470P-50V	A.....
C	812		CAP, CER 680P-50V	A.....
C	813		CAP,M/P 0.01-1250 J	A.....
C	817		CAP,E 220-160 M KMF	A.....
C	815		CAP,M/P 1000P-1.6K J ECWH(VB)	A.....
C	814		CAP,M/P 1000P-1.6K J ECWH(VB)	A.....
C	816		CAP,M/P 1000P-1.6K J ECWH(VB)	A.....
C	826		CAP,E 470-16 SME	A.....
C	824		CAP,E 1000-35 SME	A.....
C	828		CAP, ELECT 10-50V	A.....
C	823		CAP,E 2200-35 M SMG	A.....
C	829		CAP,CER 2200P-500 K B DD10	A.....
C	822		CAP,CER 390P-2K K R LONG	A.....
C	830		CAP, ELECT 47-25V	A.....
C	833		CAP, ELECT 10-50V	A.....
C	832		CAP, ELECT 10-50V	A.....
C	834		CAP, ELECT 10-50V	A.....
C	831		CAP, ELECT 10-50V	A.....
C	836		CAPACITOR,TC-U 0.01-16	A.....
CN	802		PLUG,2P MINI(*)	A.....
CNA	800		CONN ASSY,2P PS-MAIN AC	A.....
CNA	804		CONN ASSY,1P TV-FBT TO PS-SW	A.....
CNA	802		CONN ASSY,5P MAIN-NK	A.....
CNA	805		CONN ASSY,2P TV TO PS	A.....
CNA	801		CONN ASSY,8P V AU PW 200	A.....
D	802		DIODE,GBU6J	A.....
D	806		DIODE,RGP10JE-5025	A.....
D	805		DIODE,RGP10JE-5025	A.....
D	807		DIODE,RGP10JE-5025	A.....
D	803		DIODE,RGP10JE-5025	A.....
D	808		DIODE,RGP10JE-5025	A.....
D	809		DIODE,RU 1P	A.....
D	804		ZENER,MTZJ6.8C	A.....
D	816		DIODE,1SS133 (110MA)	A.....
D	815		DIODE,IN4148	A.....
D	814		DIODE,IN4148	A.....
D	813		DIODE,RGP10JE-5025	A.....
D	818		DIODE,RGP10JE-5025	A.....
D	812		DIODE,UF3GL-6251	A.....
D	819		ZENER,MTZJ3.9B	A.....
D	810		DIODE,RL4A	A.....
FB	805		F-BEAD,FBR07HA121NB	A.....
FB	802		F-BEAD,FBR07HA121NB	A.....
FB	801		F-BEAD,FBR07HA121NB	A.....
FB	806		F-BEAD,FBR07HA121NB	A.....
IC	801		IC,STR-F6656	A.....
IC	804		IC,KIA7805API	A.....
IC	805		IC,KIA7805API	A.....
IC	803		IC,KIA7809API	A.....
L	801		COIL,180UH RCH110	A.....
PR	801		PROTECTOR,1.5A 491SERIES 60V	A.....
PR	803		PROTECTOR,4A 491SERIES 60V	A.....
PR	804		PROTECTOR,4A 491SERIES 60V	A.....
PS	801		P-COUPLER,ON3171-R	A.....
PT	801		PT,SW ZJB-KE-A M	A.....
Q	802		IC,SE120N	A.....
Q	801		TR,2SA1175FE	A.....
Q	805		FET,2SK2541	A.....
R	804		RES,SD 8.2M-1W J RCR60	A.....
R	803		RES,CEM 1.0-10W J MPC722	A.....
R	802		RES,CEM 1.0-10W J MPC722	A.....
R	808		RES,CEM 0.33-5W J MPC71	A.....
R	807		RES,CEM 0.15-5W K BPR	A.....
R	816		RES,M/F 82K-3W J RSF(S)	A.....
R	817		RES,M/F 47K-2W J RSF(S)	A.....
R	820		RES,M/F 68-3W J RSF(S)	A.....
R	827		RES,M/F 82K-5W J RSV5	A.....
RY	801		RELAY,AC12V G5PA-1-8	A.....
THP	801		POS-THMS,T209-B80-A10	A.....
			TAPPING SCREW, BVT2+3-10	A.....
C	219		S CHIP F 0.01	A.....
C	215		CAP,E330-25 SME	A.....
C	213		CAP,CER 3300P-250NS	A.....
C	212		CAP,CER 3300P-250NS	A.....
C	217		CAP,M/P 0.022-400 K MMC	A.....
C	218		CAP,E 100-35 KMF	A.....
C	222		CAP, CHIP 0.01 DM	A.....
C	226		CAP, ELECT 100-50V	A.....

# ELECTRICAL MAIN PARTS LIST -2

C	229	87-010-247-080	CAP, ELECT 100-50V	A.....
C	227	87-010-401-080	CAP, ELECT 1-50V	A.....
C	225	87-A10-011-090	CAP,E 2200-25 SMG	A.....
C	224	87-A10-493-080	CAP,E 1000-25 KMF	A.....
C	228	87-A10-646-090	CAP,E 220-400 SMH (25.4*40)	A.....
C	220	87-A11-794-080	CAP,CER 100P-2K K B	A.....
C	234	87-010-221-080	CAP, ELECT 470-10V	A.....
C	230	87-010-247-080	CAP, ELECT 100-50V	A.....
C	233	87-010-247-080	CAP, ELECT 100-50V	A.....
C	232	87-010-381-080	CAP, ELECT 330-16V	A.....
C	231	87-A10-492-090	CAP,E 3300-10 KMF	A.....
C	237	87-A12-074-080	CAP,E 470-25 SMG	A.....
C	242	87-012-370-010	CAP,CER 3300P-250NS	A.....
C	241	87-012-370-010	CAP,CER 3300P-250NS	A.....
C	244	87-A10-831-080	CAP,E 1000-25 M SMG	A.....
CN	216	87-A60-632-010	CONN,15P V 2MM JMT	A.....
CN	211	87-A60-937-010	CONN,2P V VH	A.....
CNA	214	8A-JD1-660-010	CONN ASSY,15P V PS TO JOINT	A.....
D	215	87-020-465-080	DIODE,1SS133 (110MA)	A.....
D	216	87-020-465-080	DIODE,1SS133 (110MA)	A.....
D	211	87-070-173-010	DIODE,S1WBA60	A.....
D	218	87-070-274-080	DIODE,1N4003 SEM	A.....
D	219	87-A40-367-080	DIODE,EU01	A.....
D	212	87-A40-368-080	DIODE,EG01C	A.....
D	217	87-A40-852-090	DIODE,30DF2(F)	A.....
D	213	87-A40-853-080	DIODE,10ELS2	A.....
D	224	87-017-079-080	ZENER,HZS4A3	A.....
D	227	87-020-465-080	DIODE,1SS133 (110MA)	A.....
D	226	87-020-465-080	DIODE,1SS133 (110MA)	A.....
D	229	87-070-274-080	DIODE,1N4003 SEM	A.....
D	222	87-A40-353-080	ZENER,HZS33-3	A.....
D	221	87-A40-367-080	DIODE,EU01	A.....
D	223	87-A40-367-080	DIODE,EU01	A.....
D	220	87-A40-851-090	DIODE,31DQ04(F)	A.....
D	230	87-070-274-080	DIODE,1N4003 SEM	A.....
D	231	87-070-274-080	DIODE,1N4003 SEM	A.....
FB	211	87-003-223-080	FERRITE BEAD BL02RN2	A.....
IC	214	87-001-576-010	IC,MJM7812FA	A.....
IC	213	87-A20-389-010	IC,NJM7809FA	A.....
IC	212	87-A20-649-080	IC,HA17431VP	A.....
IC	211	87-A21-186-010	IC,STR-F6552	A.....
ICF	215	87-001-132-080	ICP-N38	A.....
ICF	212	87-001-132-080	ICP-N38	A.....
ICF	214	87-001-132-080	ICP-N38	A.....
ICF	216	87-001-486-080	FUSE, ICP-N15	A.....
ICF	213	87-A91-337-080	PROTECTOR,IC ICP-N75	A.....
ICF	211	87-A91-337-080	PROTECTOR,IC ICP-N75	A.....
L	212	87-A50-193-080	COIL,10UH K LHL10	A.....
L	211	87-A50-193-080	COIL,10UH K LHL10	A.....
L	213	87-A50-444-080	COIL,22UH K LHL08	A.....
LF	211	87-A90-492-010	FLTR,18MH SS10V-05180	A.....
PS	211	87-A90-717-010	P-COUPLER,PC123FY2	A.....
PT	211	8A-JD1-651-010	PT, AJD-1 SWT	A.....
Q	211	87-A30-217-010	TR,2SB1436(R)	A.....
QQ	216	87-A30-218-080	TR,2SB1237(Q)	A.....
Q	213	87-A30-218-080	TR,2SB1237(Q)	A.....
Q	214	87-A30-427-040	C-TR,DTC114EKA	A.....
QQ	215	87-A30-427-040	C-TR,DTC114EKA	A.....
Q	212	87-A30-427-040	C-TR,DTC114EKA	A.....
Q	219	87-A30-447-040	C-TR,DTA114EKA	A.....
Q	218	87-A30-447-040	C-TR,DTA114EKA	A.....
Q	217	87-A30-447-040	C-TR,DTA114EKA	A.....
QQ	225	87-A30-063-080	C-TR,KRA104S	A.....
Q	222	87-A30-217-010	TR,2SB1436(R)	A.....
Q	221	87-A30-220-080	TR,2SC1741AS(R)	A.....
Q	220	87-A30-220-080	TR,2SC1741AS(R)	A.....
Q	223	87-A30-427-040	C-TR,DTC114EKA	A.....
Q	226	87-A30-427-040	C-TR,DTC114EKA	A.....
Q	224	87-A30-447-040	C-TR,DTA114EKA	A.....
R	217	87-022-565-090	RES,M/O 47K-1W J	A.....
R	216	87-022-565-090	RES,M/O 47K-1W J	A.....
R	213	87-A00-558-090	RES,M/F 56K-2W J	A.....
R	229	87-025-365-080	RES,M/F 680-1/6WJ F	A.....
R	228	87-A00-279-080	RES,M/F 75-1/6W F	A.....
R	224	87-A00-765-090	RES,M/F 0.30-2W J	A.....
R	230	87-025-365-080	RES,M/F 680-1/6WJ F	A.....
R	245	87-029-132-090	RESTOR FUSE 4.7-1/4W	A.....
R	250	87-029-374-010	RES,FUSE 47-1/4W	A.....
R	258	87-A00-149-090	RES,M/F 100-1W J RSF(S)	A.....
C	203	87-012-370-010	CAP,CER 3300P-250NS	A.....
C	206	87-012-370-010	CAP,CER 3300P-250NS	A.....
C	204	87-012-370-010	CAP,CER 3300P-250NS	A.....
C	205	87-012-370-010	CAP,CER 3300P-250NS	A.....
C	202	87-A10-688-090	CAP,M/P 0.22-275 K (B81133)	A.....
C	201	87-A10-688-090	CAP,M/P 0.22-275 K (B81133)	A.....
CN	201	87-099-674-010	CONN,2P VA V	A.....
CN	203	87-A60-003-010	CONN,2P V TBL-P BOSS	A.....
CN	202	87-A61-126-080	MALE, 1P TP42097	A.....
CN	204	87-A61-126-080	MALE, 1P TP42097	A.....
D	201	87-A91-641-010	VRIS,SIOV-S14K300	A.....
F	201	87-035-369-010	FUSE,5A 250V TE	A.....
FC	201	87-033-213-080	CLAMP, FUSE	A.....
FC	202	87-033-213-080	CLAMP, FUSE	A.....

# ELECTRICAL MAIN PARTS LIST - 3

LF	202	87-A91-449-010	FLTR,LINE ELF18D450D	A.....
LF	201	87-A91-453-010	FLTR,LINE PLH10A7003R6P02B1	A.....
R	202	87-023-102-080	RES,SD 4.7M 1/2W SF	A.....
S	201	87-A91-410-010	SW,AC PUSH 1-1-1 ESB92SH1B	A.....
		87-067-579-010	TAPPING SCREW, BVT2+3-8	A.....
C	402	87-010-260-080	CAP, ELECT 47-25V	A.....
C	408	87-010-367-080	CAP,E 4.7-25 BP	A.....
C	405	87-010-402-080	CAP, ELECT 2.2-50V	A.....
C	401	87-010-402-080	CAP, ELECT 2.2-50V	A.....
C	406	87-010-405-080	CAP, ELECT 10-50V	A.....
C	403	87-018-134-080	CAPACITOR,TC-U 0.01-16	A.....
C	407	87-A11-148-080	CAP,TC U 0.1-50 Z F	A.....
C	415	87-010-367-080	CAP,E 4.7-25 BP	A.....
C	411	87-010-367-080	CAP,E 4.7-25 BP	A.....
C	418	87-010-367-080	CAP,E 4.7-25 BP	A.....
C	414	87-010-405-080	CAP, ELECT 10-50V	A.....
C	412	87-010-405-080	CAP, ELECT 10-50V	A.....
C	419	87-A11-148-080	CAP,TC U 0.1-50 Z F	A.....
C	413	87-A11-148-080	CAP,TC U 0.1-50 Z F	A.....
C	421	87-010-260-080	CAP, ELECT 47-25V	A.....
C	420	87-010-260-080	CAP, ELECT 47-25V	A.....
C	429	87-010-263-080	CAP, ELECT 100-10V	A.....
C	427	87-010-401-080	CAP, ELECT 1-50V	A.....
C	428	87-018-134-080	CAPACITOR,TC-U 0.01-16	A.....
C	422	87-018-134-080	CAPACITOR,TC-U 0.01-16	A.....
C	426	87-A11-148-080	CAP,TC U 0.1-50 Z F	A.....
C	435	87-010-260-080	CAP, ELECT 47-25V	A.....
C	438	87-010-367-080	CAP,E 4.7-25 BP	A.....
C	436	87-A11-121-080	CAP,TC U 1200P-50 K B	A.....
C	437	87-A11-121-080	CAP,TC U 1200P-50 K B	A.....
C	434	87-A11-148-080	CAP,TC U 0.1-50 Z F	A.....
C	433	87-A11-148-080	CAP,TC U 0.1-50 Z F	A.....
C	446	87-010-101-080	CAP, ELECT 220-16	A.....
C	445	87-010-367-080	CAP,E 4.7-25 BP	A.....
C	440	87-A11-147-080	CAP,TC U 0.047-50 Z F	A.....
C	442	87-A11-147-080	CAP,TC U 0.047-50 Z F	A.....
C	447	87-A11-148-080	CAP,TC U 0.1-50 Z F	A.....
C	467	87-010-367-080	CAP,E 4.7-25 BP	A.....
C	470	87-010-112-080	CAP, ELECT 100-16V	A.....
C	479	87-010-247-080	CAP, ELECT 100-50V	A.....
C	472	87-010-367-080	CAP,E 4.7-25 BP	A.....
C	475	87-010-379-080	CAP, ELECT 22-16V	A.....
C	478	87-010-401-080	CAP, ELECT 1-50V	A.....
C	476	87-010-404-080	CAP, ELECT 4.7-50V	A.....
C	477	87-010-404-080	CAP, ELECT 4.7-50V	A.....
C	471	87-A11-148-080	CAP,TC U 0.1-50 Z F	A.....
C	483	87-010-247-080	CAP, ELECT 100-50V	A.....
C	481	87-010-388-080	CAP ELECT 1000-25V SME	A.....
C	480	87-010-388-080	CAP ELECT 1000-25V SME	A.....
C	482	87-010-401-080	CAP, ELECT 1-50V	A.....
C	484	87-A11-148-080	CAP,TC U 0.1-50 Z F	A.....
C	498	87-010-402-080	CAP, ELECT 2.2-50V	A.....
CN	403	87-A60-447-010	CONN,8P V TID-X	A.....
CN	401	87-A60-623-010	CONN,6P V 2MM JMT	A.....
CN	402	87-A60-627-010	CONN,10P V 2MM JMT	A.....
CNA	401	8A-JDB-641-010	CONN ASSY,5P 2.5MM FR-AU	A.....
D	402	87-070-345-080	DIODE,IN4148	A.....
D	401	87-070-345-080	DIODE,IN4148	A.....
FR	402	87-A00-084-090	RES,FUSE 1-1W J	A.....
FR	401	87-A00-084-090	RES,FUSE 1-1W J	A.....
IC	403	87-A20-312-010	IC,M62420SP	A.....
IC	409	87-A21-169-010	IC,MM1124B	A.....
IC	401	87-A21-259-010	IC,MM1454	A.....
IC	404	87-A21-299-010	IC,LA6458S	A.....
IC	402	87-A21-345-010	IC,NJM2150	A.....
IC	410	87-A21-283-010	IC,AN5277	A.....
Q	401	87-A30-065-080	TR,2SC2785FE	A.....
Q	402	87-A30-065-080	TR,2SC2785FE	A.....
Q	408	87-A30-090-080	FET,2SK2541	A.....
Q	409	87-A30-090-080	FET,2SK2541	A.....
Q	404	87-A30-121-080	TR,DTC 323 TS	A.....
Q	407	87-A30-121-080	TR,DTC 323 TS	A.....
R	404	87-025-380-080	RES,M/F 15K-1/6W F	A.....
R	405	87-025-381-080	RES,M/F 18K-1/6W F	A.....
R	401	87-025-381-080	RES,M/F 18K-1/6W F	A.....
R	402	87-025-424-080	RES,M/F 10K 1/6W F	A.....
C	904	87-010-221-080	CAP, ELECT 470-10V	A.....
C	903	87-010-403-080	CAP, ELECT 3.3-50V	A.....
C	902	87-010-403-080	CAP, ELECT 3.3-50V	A.....
C	906	87-010-405-080	CAP, ELECT 10-50V	A.....
C	905	87-010-405-080	CAP, ELECT 10-50V	A.....
C	901	87-010-405-080	CAP, ELECT 10-50V	A.....
C	918	87-010-379-080	CAP, ELECT 22-16V	A.....
C	910	87-010-401-080	CAP, ELECT 1-50V	A.....
C	911	87-010-401-080	CAP, ELECT 1-50V	A.....
C	915	87-018-133-080	CAPACITOR,CER 4700P-16V	A.....
C	916	87-018-133-080	CAPACITOR,CER 4700P-16V	A.....
C	914	87-018-134-080	CAPACITOR,TC-U 0.01-16	A.....
C	913	87-018-134-080	CAPACITOR,TC-U 0.01-16	A.....
C	930	87-018-117-080	CAP,TC-U 68P-50 SL	A.....
CN	901	87-009-031-010	CONNECTOR, 3P	A.....
CNA	902	8A-JDB-656-010	CONN ASSY,5P V 2.0MM JT TO AU	A.....
CNA	903	8Z-JB9-661-010	CONN ASSY,10P MAIN-AUDIO	A.....

# ELECTRICAL MAIN PARTS LIST - 4

D	905	87-070-345-080	DIODE, IN4148	A.....
D	903	87-070-345-080	DIODE, IN4148	A.....
D	904	87-070-345-080	DIODE, IN4148	A.....
IC	901	87-027-666-010	IC, TC4052BP	A.....
IC	902	87-027-666-010	IC, TC4052BP	A.....
J	901	87-A60-324-110	JACK, PIN 6P Y-W-R W/SW	A.....
Q	909	87-A30-065-080	TR, 2SC2785FE	A.....
Q	902	87-A30-065-080	TR, 2SC2785FE	A.....
Q	908	87-A30-065-080	TR, 2SC2785FE	A.....
Q	903	87-A30-065-080	TR, 2SC2785FE	A.....
Q	907	87-A30-066-080	TR, 2SA1175FE	A.....
Q	905	87-A30-121-080	TR, DTC 323 TS	A.....
Q	904	87-A30-121-080	TR, DTC 323 TS	A.....
Q	906	87-A30-121-080	TR, DTC 323 TS	A.....
Q	901	89-110-155-080	TR, 2SA1015 (0.4W)	A.....
Q	913	87-026-218-080	TR, DTC144ES (0.2W)	A.....
Q	914	87-026-219-080	TR, DTA144ES (0.3W)	A.....
Q	910	87-A30-065-080	TR, 2SC2785FE	A.....
Q	912	87-A30-066-080	TR, 2SA1175FE	A.....
Q	911	87-A30-066-080	TR, 2SA1175FE	A.....
C	102	87-010-260-080	CAP, ELECT 47-25V	A.....
C	109	87-010-405-080	CAP, ELECT 10-50V	A.....
C	103	87-010-405-080	CAP, ELECT 10-50V	A.....
C	108	87-010-405-080	CAP, ELECT 10-50V	A.....
C	107	87-010-405-080	CAP, ELECT 10-50V	A.....
C	106	87-010-405-080	CAP, ELECT 10-50V	A.....
C	104	87-010-405-080	CAP, ELECT 10-50V	A.....
C	105	87-012-286-080	CAP, U 0.01-25	A.....
C	119	87-012-286-080	CAP, U 0.01-25	A.....
C	129	87-010-382-080	CAP, ELECT 22-25V	A.....
C	128	87-010-382-080	CAP, ELECT 22-25V	A.....
C	127	87-010-382-080	CAP, ELECT 22-25V	A.....
C	120	87-012-286-080	CAP, U 0.01-25	A.....
C	137	87-010-402-080	CAP, ELECT 2.2-50V	A.....
C	139	87-010-402-080	CAP, ELECT 2.2-50V	A.....
C	138	87-012-269-080	C-CAP, U 390P-50 B	A.....
C	136	87-012-286-080	CAP, U 0.01-25	A.....
C	135	87-012-286-080	CAP, U 0.01-25	A.....
C	133	87-018-119-080	CAP, CER 100P-50V	A.....
C	132	87-018-119-080	CAP, CER 100P-50V	A.....
C	148	87-010-235-080	CAP, E 470-16 SME	A.....
C	147	87-010-260-080	CAP, ELECT 47-25V	A.....
C	145	87-010-260-080	CAP, ELECT 47-25V	A.....
C	144	87-010-831-080	C-CAP, U, 0.1-16F	A.....
C	143	87-010-831-080	C-CAP, U, 0.1-16F	A.....
C	142	87-012-172-080	CAPACITOR CHIP U 10P CH	A.....
C	141	87-012-172-080	CAPACITOR CHIP U 10P CH	A.....
C	140	87-012-269-080	C-CAP, U 390P-50 B	A.....
C	146	87-012-286-080	CAP, U 0.01-25	A.....
CN	108	87-009-033-010	CONNECTOR, 5P	A.....
CN	105	87-A60-629-010	CONN, 12P V 2MM JMT	A.....
CN	107	87-A60-631-010	CONN, 14P V 2MM JMT	A.....
CN	106	87-A60-632-010	CONN, 15P V 2MM JMT	A.....
CN	101	87-A61-272-010	CONN, 11P V BLK FMN-BTRK	A.....
CN	102	87-A61-273-010	CONN, 5P V BLK FMN-BTRK	A.....
CN	103	87-A61-274-010	CONN, 13P V BLK FMN-BTRK	A.....
CN	110	87-A60-622-010	CONN, 5P V 2MM JMT	A.....
CN	117	87-A61-126-080	MALE, 1P TP42097	A.....
CNA	105	8A-JD1-661-110	CONN ASSY, 12P V JOINT TO UNIT	A.....
FB	109	87-A50-208-080	C-COIL, BLM11A601SPT	A.....
FB	104	87-A50-208-080	C-COIL, BLM11A601SPT	A.....
FB	102	87-A50-208-080	C-COIL, BLM11A601SPT	A.....
FB	105	87-A50-208-080	C-COIL, BLM11A601SPT	A.....
FB	106	87-A50-208-080	C-COIL, BLM11A601SPT	A.....
FB	107	87-A50-208-080	C-COIL, BLM11A601SPT	A.....
FB	108	87-A50-208-080	C-COIL, BLM11A601SPT	A.....
FB	101	87-A50-208-080	C-COIL, BLM11A601SPT	A.....
FB	113	87-003-223-080	FERRITE BEAD BL02RN2	A.....
FB	115	87-008-372-080	FILTER, EMI BL OIRNI	A.....
FB	112	87-008-372-080	FILTER, EMI BL OIRNI	A.....
FB	117	87-008-372-080	FILTER, EMI BL OIRNI	A.....
FB	110	87-A50-208-080	C-COIL, BLM11A601SPT	A.....
FB	111	87-A50-208-080	C-COIL, BLM11A601SPT	A.....
FB	129	87-003-223-080	FERRITE BEAD BL02RN2	A.....
FB	122	87-008-372-080	FILTER, EMI BL OIRNI	A.....
FB	120	87-008-372-080	FILTER, EMI BL OIRNI	A.....
FB	126	87-A50-208-080	C-COIL, BLM11A601SPT	A.....
FB	127	87-A50-208-080	C-COIL, BLM11A601SPT	A.....
FB	128	87-A50-208-080	C-COIL, BLM11A601SPT	A.....
FB	130	87-003-223-080	FERRITE BEAD BL02RN2	A.....
FB	131	87-003-223-080	FERRITE BEAD BL02RN2	A.....
FB	132	87-003-223-080	FERRITE BEAD BL02RN2	A.....
IC	103	87-017-889-010	IC, NJM4558LD	A.....
IC	101	87-A21-585-010	IC, MM1232XD	A.....
L	101	87-005-440-080	COIL, 47UH FLR50	A.....
L	102	87-005-440-080	COIL, 47UH FLR50	A.....
L	103	87-005-444-080	COIL 100UH, K	A.....
W	102	8A-JD1-664-010	FF-CABLE, 5P 1.0 400MM 30V	A.....
W	101	8A-JD1-666-010	FF-CABLE, 11P 1.0 400MM 30V	A.....
W	103	8A-JD1-667-010	FF-CABLE, 13P 1.0 400MM 30V	A.....
C	655	87-010-382-080	CAP, ELECT 22-25V	A.....
C	654	87-012-286-080	CAP, U 0.01-25	A.....
CN	650	87-099-416-010	CONN, 3P EH H WHT	A.....

ELECTRICAL MAIN PARTS LIST - 5

CNA	650	8A-JD1-665-110	CONN ASSY,3P V UNIT TO OPT	A.....
IC	651	87-017-825-010	IC,GP1F32T	A.....
C	5	87-010-263-080	CAP, ELECT 100-10V	A.....
C	3	87-010-405-080	CAP, ELECT 10-50V	A.....
C	8	87-010-405-080	CAP, ELECT 10-50V	A.....
C	9	87-018-134-080	CAPACITOR,TC-U 0.01-16	A.....
C	4	87-018-134-080	CAPACITOR,TC-U 0.01-16	A.....
C	1	87-A11-073-080	CAP,TC U 22P-50 J CH	A.....
C	2	87-A11-073-080	CAP,TC U 22P-50 J CH	A.....
C	17	87-010-404-080	CAP, ELECT 4.7-50V	A.....
C	13	87-010-405-080	CAP, ELECT 10-50V	A.....
C	11	87-018-119-080	CAP, CER 100P-50V	A.....
C	10	87-018-119-080	CAP, CER 100P-50V	A.....
C	14	87-018-129-080	CAP, CER 680P-50V	A.....
C	16	87-018-149-080	CAP,TC-U 15P-50 CH	A.....
C	15	87-018-149-080	CAP,TC-U 15P-50 CH	A.....
C	152	87-010-384-080	CAP, ELECT 100-25V	A.....
CN	1	87-099-407-010	CONN,7P EH V WHT	A.....
CN	4	87-A60-624-010	CONN,7P V 2MM JMT	A.....
D	5	87-070-345-080	DIODE,IN4148	A.....
D	6	87-070-345-080	DIODE,IN4148	A.....
D	10	87-A40-347-080	ZENER,MTZJ2.2B	A.....
D	11	87-A40-347-080	ZENER,MTZJ2.2B	A.....
FB	1	87-003-320-080	F-BEAD,FBR07HA121NB	A.....
IC	2	87-A21-133-080	IC,BMR-0101D	A.....
IC	4	87-A21-433-010	IC,KS24C04II	A.....
IC	1	8A-JDB-651-010	IC,TMP87CP38N-****	A.....
L	1	87-003-147-080	COIL, 22UH	A.....
Q	4	87-A30-065-080	TR,2SC2785FE	A.....
Q	3	87-A30-091-080	FET,2SJ460	A.....
X	1	87-030-300-080	VIB,XTAL 8.00MHZ	A.....
C	305	87-010-263-080	CAP, ELECT 100-10V	A.....
C	308	87-010-263-080	CAP, ELECT 100-10V	A.....
C	304	87-010-831-080	C-CAP,U,0.1-16F	A.....
C	307	87-010-831-080	C-CAP,U,0.1-16F	A.....
C	309	87-012-274-080	CHIP CAP,U 1000P-50B	A.....
C	301	87-012-274-080	CHIP CAP,U 1000P-50B	A.....
C	303	87-012-286-080	CAP, U 0.01-25	A.....
C	306	87-012-286-080	CAP, U 0.01-25	A.....
C	315	87-010-263-080	CAP, ELECT 100-10V	A.....
C	316	87-010-831-080	C-CAP,U,0.1-16F	A.....
C	328	87-010-263-080	CAP, ELECT 100-10V	A.....
C	329	87-010-405-080	CAP, ELECT 10-50V	A.....
C	326	87-010-408-080	CAP, ELECT 47-50V	A.....
C	325	87-010-408-080	CAP, ELECT 47-50V	A.....
C	327	87-010-787-080	CAP, U 0.022-25	A.....
C	320	87-012-286-080	CAP, U 0.01-25	A.....
C	330	87-012-286-080	CAP, U 0.01-25	A.....
CN	301	87-009-258-010	CONN,4P 52147 MXJ	A.....
CN	309	87-009-311-010	CONN 5P 51048	A.....
CN	304	87-099-567-010	CONN,10P TUC-P10P-B1	A.....
CN	303	87-099-568-010	CONN,11P TUC-P11P-B1	A.....
CN	302	87-099-574-010	CONN,20P TUC-P20P-B1	A.....
CNA	306	8A-JD1-642-010	CONN ASSY,14P V SYSTEM TO JOIN	A.....
CNA	305	8A-JD1-663-010	CONN ASSY,15P V PS TO SYSTEM	A.....
CNA	307	8A-JDB-645-010	CONN ASSY,7P V SYSTEM TO TV	A.....
CNA	310	8A-JD1-652-010	CONN ASSY,1P SYSTEM TO FR-JACK	A.....
D	307	87-020-465-080	DIODE,1SS133 (110MA)	A.....
D	306	87-A40-002-080	ZENER,MTZJ5.1C	A.....
D	305	87-A40-464-080	ZENER,MTZJ3.6A	A.....
FB	301	87-A50-208-080	C-COIL,BLM11A601SPT	A.....
FB	303	87-A50-208-080	C-COIL,BLM11A601SPT	A.....
FB	302	87-A50-208-080	C-COIL,BLM11A601SPT	A.....
FB	305	87-A50-208-080	C-COIL,BLM11A601SPT	A.....
FB	304	87-A50-208-080	C-COIL,BLM11A601SPT	A.....
IC	302	8A-JD1-692-030	C-IC,UPD780021AYGC-R07-AB8	A.....
IC	301	8A-JDB-650-030	C-IC,M38B57MCH-****	A.....
L	301	87-005-436-080	COIL,22UH FLR50,K	A.....
L	302	87-005-436-080	COIL,22UH FLR50,K	A.....
L	303	87-005-436-080	COIL,22UH FLR50,K	A.....
Q	301	89-110-372-080	TR,2SA1037(140MHZ 200MW)	A.....
W	3	8A-JDB-653-010	F-CABLE,5P 2.0 200MM SYSTEM	A.....
X	301	87-008-394-080	CERAMIC FILTER,	A.....
X	302	87-008-394-080	CERAMIC FILTER,	A.....
C	105	87-010-263-080	CAP, ELECT 100-10V	A.....
C	103	87-010-384-080	CAP, ELECT 100-25V	A.....
C	101	87-010-404-080	CAP, ELECT 4.7-50V	A.....
C	108	87-018-132-080	CAP, CER 2200P-16V	A.....
C	107	87-018-134-080	CAPACITOR,TC-U 0.01-16	A.....
C	104	87-018-134-080	CAPACITOR,TC-U 0.01-16	A.....
C	102	87-018-134-080	CAPACITOR,TC-U 0.01-16	A.....
C	106	87-A11-132-080	CAP,TC U 0.01-50 K B	A.....
C	113	87-010-260-080	CAP, ELECT 47-25V	A.....
C	116	87-010-260-080	CAP, ELECT 47-25V	A.....
C	111	87-018-132-080	CAP, CER 2200P-16V	A.....
C	110	87-018-132-080	CAP, CER 2200P-16V	A.....
C	117	87-018-134-080	CAPACITOR,TC-U 0.01-16	A.....
C	122	87-010-260-080	CAP, ELECT 47-25V	A.....
C	124	87-010-401-080	CAP, ELECT 1-50V	A.....
C	126	87-010-544-080	CAP, ELECT 0.1-50V	A.....
C	127	87-018-119-080	CAP, CER 100P-50V	A.....
C	129	87-018-134-080	CAPACITOR,TC-U 0.01-16	A.....
C	121	87-018-134-080	CAPACITOR,TC-U 0.01-16	A.....

# ELECTRICAL MAIN PARTS LIST - 6

C	128	87-018-134-080	CAPACITOR,TC-U 0.01-16	A.....
C	123	87-018-134-080	CAPACITOR,TC-U 0.01-16	A.....
C	125	87-018-134-080	CAPACITOR,TC-U 0.01-16	A.....
C	132	87-010-260-080	CAP, ELECT 47-25V	A.....
C	131	87-010-405-080	CAP, ELECT 10-50V	A.....
C	130	87-010-405-080	CAP, ELECT 10-50V	A.....
CF	203	84-LB3-626-080	FLTR,TPS4.5MB2	A.....
CF	205	87-008-574-080	FLTR,SFSH4.5MCB	A.....
CF	204	87-008-577-080	FLTR,TPS5.5MB2	A.....
CF	202	87-008-578-080	FLTR,TPS6.5MB2	A.....
CF	201	87-A90-224-080	FLTR,TPS6.0MB	A.....
CN	102	87-A60-732-010	CONN,6P JL-BT	A.....
CN	101	87-A60-734-010	CONN,8P JL-BT	A.....
CNA	101	8A-JDB-647-010	CONN ASSY,1P TV-TU TO PS-SW	A.....
D	103	87-070-345-080	DIODE,IN4148	A.....
D	102	87-070-345-080	DIODE,IN4148	A.....
D	101	87-070-444-080	ZENER,HZS33-1	A.....
IC	101	87-027-666-010	IC,TC4052BP	A.....
L	104	87-003-106-080	COIL,0.33UH	A.....
L	108	87-003-146-080	COIL,15UH LAL02	A.....
L	109	87-003-282-080	COIL,12UH	A.....
L	101	87-005-481-080	COIL,47UH J FLR50	A.....
L	113	87-003-098-080	COIL,2.2UH	A.....
L	110	87-003-146-080	COIL,15UH LAL02	A.....
L	111	87-003-282-080	COIL,12UH	A.....
L	112	87-005-481-080	COIL,47UH J FLR50	A.....
L	114	87-A50-530-010	COIL,VCO38.0MHZ	A.....
Q	108	87-A30-065-080	TR,2SC2785FE	A.....
Q	107	87-A30-065-080	TR,2SC2785FE	A.....
Q	105	87-A30-066-080	TR,2SA1175FE	A.....
Q	102	87-A30-090-080	FET,2SK2541	A.....
Q	103	87-A30-090-080	FET,2SK2541	A.....
Q	101	89-337-794-580	TR,2SC3779 D/E	A.....
R	101	87-A00-164-090	RES,M/F 12K-2W J RSF(S)	A.....
SWF	201	87-A91-515-010	FLTR,SAW TSB5388P	A.....
SWF	202	87-A91-556-010	FLTR,SAW TSF6364U	A.....
TU	101	87-A91-495-010	TU UNIT, ENV59D58G3-38.0MHZ	A.....
C	704	87-010-145-080	C-CAP,S 1P-50 CH	A.....
C	703	87-010-145-080	C-CAP,S 1P-50 CH	A.....
C	709	87-010-197-080	CAP,CHIP 0.01 DM	A.....
C	707	87-010-197-080	CAP,CHIP 0.01 DM	A.....
C	706	87-010-197-080	CAP,CHIP 0.01 DM	A.....
C	701	87-010-318-080	C-CAP,S 47P-50 CH	A.....
C	702	87-010-318-080	C-CAP,S 47P-50 CH	A.....
C	708	87-010-496-080	CAP,E 3.3-50 5L	A.....
C	705	87-010-553-080	CAP,E 47-16	A.....
C	715	87-010-197-080	CAP,CHIP 0.01 DM	A.....
C	710	87-010-197-080	CAP,CHIP 0.01 DM	A.....
C	716	87-010-316-080	C-CAP,S 33P-50 CH	A.....
C	719	87-010-498-080	CAP,E 10-16 GAS	A.....
C	714	87-010-555-080	CAP,E 100-10 GAS	A.....
C	726	87-010-197-080	CAP,CHIP 0.01 DM	A.....
C	725	87-010-197-080	CAP,CHIP 0.01 DM	A.....
C	728	87-010-197-080	CAP,CHIP 0.01 DM	A.....
C	724	87-010-494-080	CAP ELECT GAS 1/50	A.....
C	727	87-010-497-080	CAP,E 4.7-35 5L	A.....
C	723	87-010-498-080	CAP,E 10-16 GAS	A.....
C	729	87-010-555-080	CAP,E 100-10 GAS	A.....
C	720	87-012-157-080	C-CAP,S 330P-50 CH	A.....
C	733	87-010-183-080	C-CAP,S 2700P-50 B	A.....
C	732	87-010-189-080	C-CAP,S 8200P-50 B	A.....
C	730	87-010-321-080	CHIP CAPACITOR,82P(J)	A.....
C	737	87-010-552-080	CAP,E 22-16 GAS	A.....
C	731	87-012-140-080	CAP 470P	A.....
C	734	87-012-142-080	CAP, S 0.33-16	A.....
C	739	87-012-157-080	C-CAP,S 330P-50 CH	A.....
C	743	87-010-183-080	C-CAP,S 2700P-50 B	A.....
C	742	87-010-189-080	C-CAP,S 8200P-50 B	A.....
C	740	87-010-318-080	C-CAP,S 47P-50 CH	A.....
C	741	87-012-140-080	CAP 470P	A.....
C	744	87-012-142-080	CAP, S 0.33-16	A.....
C	748	87-012-154-080	C-CAP,S 150P-50 CH	A.....
C	745	87-012-157-080	C-CAP,S 330P-50 CH	A.....
CN	702	87-A60-720-010	CONN,6P JL-R	A.....
CN	701	87-A60-722-010	CONN,8P JL-R	A.....
IC	701	87-A21-261-010	IC,MSP3417D	A.....
L	701	87-005-461-080	COIL,1UH J FLR50	A.....
L	702	87-005-461-080	COIL,1UH J FLR50	A.....
L	703	87-005-473-080	COIL,10UH J FLR50	A.....
L	707	87-005-473-080	COIL,10UH J FLR50	A.....
L	705	87-005-473-080	COIL,10UH J FLR50	A.....
L	708	87-005-485-080	COIL,100UH J FLR50	A.....
Q	710	89-324-122-080	TR,2SC2412K	A.....
Q	711	89-324-122-080	TR,2SC2412K	A.....
Q	721	89-324-122-080	TR,2SC2412K	A.....
Q	731	89-324-122-080	TR,2SC2412K	A.....
Q	741	89-324-122-080	TR,2SC2412K	A.....
X	701	87-A70-199-080	VIB,XTAL 18.432MHZ	A.....
C	301	87-010-545-080	CAP, ELECT 0.22-50V	A.....
C	308	87-016-251-080	CAP,E 220-16 M SMG	A.....
C	302	87-018-132-080	CAP, CER 2200P-16V	A.....
C	307	87-018-134-080	CAPACITOR,TC-U 0.01-16	A.....
C	309	87-018-147-080	CAP,TC-U 10P-50 CH	A.....

# ELECTRICAL MAIN PARTS LIST - 7

C	303	87-018-148-080	CAP,TC-U 12P-50 CH	A.....
C	317	87-010-237-010	CAP, ELECT 1000-16V	A.....
C	316	87-010-400-080	CAP, ELECT 0.47-50V	A.....
C	319	87-010-400-080	CAP, ELECT 0.47-50V	A.....
C	314	87-010-401-080	CAP, ELECT 1-50V	A.....
C	312	87-010-404-080	CAP, ELECT 4.7-50V	A.....
C	313	87-018-119-080	CAP, CER 100P-50V	A.....
C	318	87-018-134-080	CAPACITOR,TC-U 0.01-16	A.....
C	311	87-018-147-080	CAP,TC-U 10P-50 CH	A.....
C	310	87-018-147-080	CAP,TC-U 10P-50 CH	A.....
C	315	87-018-196-080	CAP, CER 1500P-16V	A.....
C	320	87-010-384-080	CAP, ELECT 100-25V	A.....
C	328	87-010-400-080	CAP, ELECT 0.47-50V	A.....
C	321	87-018-134-080	CAPACITOR,TC-U 0.01-16	A.....
C	323	87-A11-148-080	CAP,TC U 0.1-50 Z F	A.....
C	324	87-A11-148-080	CAP,TC U 0.1-50 Z F	A.....
C	331	87-010-248-080	CAP, ELECT 220-10V	A.....
C	334	87-010-263-080	CAP, ELECT 100-10V	A.....
C	339	87-010-263-080	CAP, ELECT 100-10V	A.....
C	338	87-010-401-080	CAP, ELECT 1-50V	A.....
C	335	87-010-401-080	CAP, ELECT 1-50V	A.....
C	337	87-010-401-080	CAP, ELECT 1-50V	A.....
C	330	87-018-134-080	CAPACITOR,TC-U 0.01-16	A.....
C	333	87-018-134-080	CAPACITOR,TC-U 0.01-16	A.....
C	336	87-018-134-080	CAPACITOR,TC-U 0.01-16	A.....
C	344	87-010-263-080	CAP, ELECT 100-10V	A.....
C	341	87-018-134-080	CAPACITOR,TC-U 0.01-16	A.....
C	340	87-018-134-080	CAPACITOR,TC-U 0.01-16	A.....
CNA	301	8A-JDB-658-010	CONN ASSY,5P MAIN-NK-RGB	A.....
D	304	87-070-345-080	DIODE,IN4148	A.....
D	301	87-070-345-080	DIODE,IN4148	A.....
D	303	87-A40-235-080	ZENER,MTZJ9.1C	A.....
D	302	87-A40-235-080	ZENER,MTZJ9.1C	A.....
D	305	87-A40-350-080	ZENER,MTZJ 4.7C	A.....
D	315	87-070-345-080	DIODE,IN4148	A.....
IC	302	87-A21-166-010	IC,TA1275AZ	A.....
IC	301	87-A21-723-010	IC,TB1240AN AJE-H	A.....
L	301	87-005-444-080	COIL 100UH,K	A.....
L	303	87-005-444-080	COIL 100UH,K	A.....
L	302	87-005-481-080	COIL,47UH J FLR50	A.....
Q	303	87-026-218-080	TR,DTC144ES (0.2W)	A.....
R	317	87-A00-308-090	RES,M/F 47-3W J RSF(S)	A.....
X	301	87-A70-054-080	VIB,XTAL 4.43MHZ AQC-1018	A.....
C	907	87-010-235-080	CAP,E 470-16 SME	A.....
C	906	87-010-400-080	CAP, ELECT 0.47-50V	A.....
C	901	87-010-405-080	CAP, ELECT 10-50V	A.....
C	903	87-010-405-080	CAP, ELECT 10-50V	A.....
C	902	87-010-968-080	CAP,CER 680P-2K K B	A.....
C	908	87-018-129-080	CAP, CER 680P-50V	A.....
C	909	87-018-129-080	CAP, CER 680P-50V	A.....
C	915	87-010-260-080	CAP, ELECT 47-25V	A.....
C	917	87-010-970-090	CAP,CER 4700P-2K B F	A.....
C	911	87-018-127-080	CAP, CER 470P-50V	A.....
C	912	87-018-127-080	CAP, CER 470P-50V	A.....
C	913	87-018-127-080	CAP, CER 470P-50V	A.....
C	910	87-018-129-080	CAP, CER 680P-50V	A.....
C	916	87-018-134-080	CAPACITOR,TC-U 0.01-16	A.....
C	914	87-A10-052-080	CAP,E 2.2-250	A.....
CN	902	87-009-195-010	CONN,5P B5BEH	A.....
CN	901	87-049-590-010	CONN,5P 8283 V WHT	A.....
CN	904	87-A61-060-080	CONN,1P V RED TP00706	A.....
CN	903	87-A61-126-080	MALE, 1P TP42097	A.....
D	905	87-020-465-080	DIODE,1SS133 (110MA)	A.....
D	902	87-020-465-080	DIODE,1SS133 (110MA)	A.....
D	906	87-020-465-080	DIODE,1SS133 (110MA)	A.....
D	908	87-020-465-080	DIODE,1SS133 (110MA)	A.....
D	904	87-020-465-080	DIODE,1SS133 (110MA)	A.....
D	903	87-020-465-080	DIODE,1SS133 (110MA)	A.....
D	901	87-020-465-080	DIODE,1SS133 (110MA)	A.....
D	909	87-020-465-080	DIODE,1SS133 (110MA)	A.....
D	907	87-020-465-080	DIODE,1SS133 (110MA)	A.....
L	904	87-005-608-080	COIL,33UH J LAV35	A.....
L	902	87-005-614-080	COIL 100UH LAV35 J	A.....
L	903	87-005-614-080	COIL 100UH LAV35 J	A.....
L	901	87-005-614-080	COIL 100UH LAV35 J	A.....
Q	906	87-A30-065-080	TR,2SC2785FE	A.....
Q	907	87-A30-065-080	TR,2SC2785FE	A.....
Q	904	87-A30-065-080	TR,2SC2785FE	A.....
Q	905	87-A30-065-080	TR,2SC2785FE	A.....
Q	908	87-A30-066-080	TR,2SA1175FE	A.....
Q	903	87-A30-344-010	TR,2SC5147D	A.....
Q	902	87-A30-344-010	TR,2SC5147D	A.....
Q	901	87-A30-344-010	TR,2SC5147D	A.....
R	903	87-A00-242-090	RES,M/F 8.2K-3W J RS	A.....
R	902	87-A00-242-090	RES,M/F 8.2K-3W J RS	A.....
R	901	87-A00-242-090	RES,M/F 8.2K-3W J RS	A.....
SO	901	86-LBR-670-010	SOCKET,CRT 9P HPS1521	A.....
		87-067-579-010	TAPPING SCREW, BVT2+3-8	A.....
C	503	87-010-247-080	CAP, ELECT 100-50V	A.....
C	508	87-010-402-080	CAP, ELECT 2.2-50V	A.....
C	501	87-018-195-080	CAP, CER 1200P-16V	A.....
C	504	87-A10-282-080	CAP,M 820P-50 J	A.....
C	513	87-018-127-080	CAP, CER 470P-50V	A.....



ELECTRICAL MAIN PARTS LIST - 8

C	512	87-A10-011-090	CAP,E 2200-25 SMG	A.....
C	511	87-A11-245-080	CAP,M/P 0.1-100 J TF-ECQV	A.....
C	607	87-010-397-090	CAP,E 1000-35 SME	A.....
C	606	87-016-515-080	CAP,CER 1000P-1K B	A.....
C	603	87-A10-052-080	CAP,E 2.2-250	A.....
C	601	87-A10-406-010	CAP,CER 270P-2K K BN DE	A.....
C	618	87-010-974-080	CAP,CER 220P-500 B	A.....
C	617	87-010-976-080	CAP,CER 1000P-500 B	A.....
C	619	87-016-215-080	CAP,E 1-160 M TWSS	A.....
C	616	87-018-132-080	CAP, CER 2200P-16V	A.....
CN	601	87-099-762-010	CONN,5P TBL-P V BOSS	A.....
CN	603	87-A60-003-010	CONN,2P V TBL-P BOSS	A.....
CNA	501	8A-JDB-660-010	CONN ASSY,5P MAIN-PIN	A.....
CNA	604	8A-JEH-661-010	CONN ASSY,1P BLK MAIN-PIN	A.....
D	501	87-070-092-080	DIODE,S5566B	A.....
D	607	87-070-345-080	DIODE,IN4148	A.....
D	603	87-A40-286-080	DIODE,RGP10JE-5025	A.....
D	601	87-A40-286-080	DIODE,RGP10JE-5025	A.....
D	605	87-A40-794-080	DIODE,EGP20G	A.....
FB	501	87-003-320-080	F-BEAD,FBR07HA121NB	A.....
FB	601	87-003-320-080	F-BEAD,FBR07HA121NB	A.....
FR	603	87-029-150-090	RES,FUSE 3.9-2W J	A.....
FR	601	87-A00-063-060	RES,FUSE 2.2-1/2W J R-TYPE	A.....
FR	604	87-A00-486-090	RES,FUSE 1.5-2W J	A.....
FR	606	87-A00-652-090	RES,FUSE 0.33-1W J RF 1SL12.5	A.....
IC	501	87-070-237-010	IC,LA7832	A.....
Q	501	87-A30-065-080	TR,2SC2785FE	A.....
Q	603	87-A30-065-080	TR,2SC2785FE	A.....
Q	601	87-A30-364-010	TR,2SD2578-CA	A.....
Q	602	89-334-674-580	TR,2SC3467 D/E	A.....
R	511	87-A00-541-090	RES,M/F 390-1W J RSF(S)	A.....
R	515	87-A00-675-090	RES,M/F 1.3-1W J RSF(S)	A.....
R	612	87-A00-238-090	RES,M/F 3.3K-5W J RSV5	A.....
S	501	87-A90-567-010	SW,LVR 4-1-3 EVQRAAL10	A.....
T	602	85-JT2-653-010	PT,HDT-TV141-2	A.....
T	601	8A-JEA-606-010	FBT,SH NX4014 AJE-A	A.....
		87-067-641-010	UTT2+3-8(W/O SLOT)BL	A.....
C	656	87-010-963-080	CAP,E 2.2-160 SME	A.....
C	659	87-010-976-080	CAP,CER 1000P-500 B	A.....
C	658	87-016-217-080	CAP,E 4.7-160	A.....
C	655	87-A10-460-010	CAP,PP 0.56-250 J PMS	A.....
C	653	87-A10-833-010	CAP,CER 1000P-2K K R LONG	A.....
C	654	87-A10-867-090	CAP,CER 2200P-2K K R	A.....
C	651	87-A11-336-090	CAP,M/P 0.01-1.6K H ECWH(VB)	A.....
C	652	87-A11-999-090	CAP,M/P 0.012-800 H ECWH(V)	A.....
C	663	87-010-395-080	CAP,E 330-35 SME	A.....
C	661	87-010-405-080	CAP, ELECT 10-50V	A.....
C	662	87-010-405-080	CAP, ELECT 10-50V	A.....
C	660	87-018-131-080	CAP, CER 1000P-50V	A.....
C	665	87-A11-124-080	CAP,TC U 2200P-50 K B	A.....
CN	653	87-009-195-010	CONN,5P B5BEH	A.....
CN	652	87-A60-003-010	CONN,2P V TBL-P BOSS	A.....
CN	651	87-A61-126-080	MALE, 1P TP42097	A.....
D	652	87-017-593-090	DIODE,RGP15J	A.....
D	651	87-A40-735-090	DIODE,ERC06-15	A.....
IC	651	87-070-417-010	IC,NJM4558 DD	A.....
L	653	87-005-757-010	COIL,3.3MH	A.....
L	651	87-A50-607-080	COIL,3.9MH K LHL10	A.....
L	652	8Z-JE7-608-010	COIL,HLC ZJE-7	A.....
Q	651	87-A30-363-010	TR,2SD2531	A.....
R	652	87-A00-537-090	RES,M/F 100-5W J RSV5	A.....
R	653	87-A00-629-090	RES,M/F 5.6-1W J RSF(S)	A.....
SFR	652	87-024-429-080	SFR,1K RH063EC	A.....
SFR	651	87-024-434-080	SFR,22K RH063EC	A.....
SFR	653	87-024-435-080	SFR 33K RH 063EC	A.....
C	715	87-010-550-040	CAP,E 100-6.3 GAS	A.....
C	713	87-010-560-040	CAP,E 10-50 GAS	A.....
C	712	87-010-560-040	CAP,E 10-50 GAS	A.....
C	716	87-010-831-080	C-CAP,U,0.1-16F	A.....
CN	701	87-099-556-010	CONN,10P TUC-P10X-B1	A.....
CN	702	87-099-557-010	CONN,11P TUC-P11X-B1	A.....
CN	703	87-099-563-010	CONN,20P TUC-P20X-B1	A.....
D	701	87-002-738-080	LED,SEL2210R TP6	A.....
FL	701	88-NF9-630-010	FL,10-BT-207GK	A.....
HL	701	8A-JD1-205-010	HLDR,FL	A.....
IC	701	87-070-083-010	IC,GP1U281X	A.....
L	701	87-003-147-080	COIL, 22UH	A.....
S	708	87-A90-164-080	SW,TACT SKQAB(N)	A.....
S	703	87-A90-164-080	SW,TACT SKQAB(N)	A.....
S	709	87-A90-164-080	SW,TACT SKQAB(N)	A.....
S	702	87-A90-164-080	SW,TACT SKQAB(N)	A.....
S	707	87-A90-164-080	SW,TACT SKQAB(N)	A.....
S	705	87-A90-164-080	SW,TACT SKQAB(N)	A.....
S	704	87-A90-164-080	SW,TACT SKQAB(N)	A.....
S	706	87-A90-164-080	SW,TACT SKQAB(N)	A.....
S	717	87-A90-164-080	SW,TACT SKQAB(N)	A.....
S	718	87-A90-164-080	SW,TACT SKQAB(N)	A.....
S	719	87-A90-164-080	SW,TACT SKQAB(N)	A.....
S	716	87-A90-164-080	SW,TACT SKQAB(N)	A.....
S	713	87-A90-164-080	SW,TACT SKQAB(N)	A.....
S	712	87-A90-164-080	SW,TACT SKQAB(N)	A.....
S	714	87-A90-164-080	SW,TACT SKQAB(N)	A.....
S	710	87-A90-164-080	SW,TACT SKQAB(N)	A.....

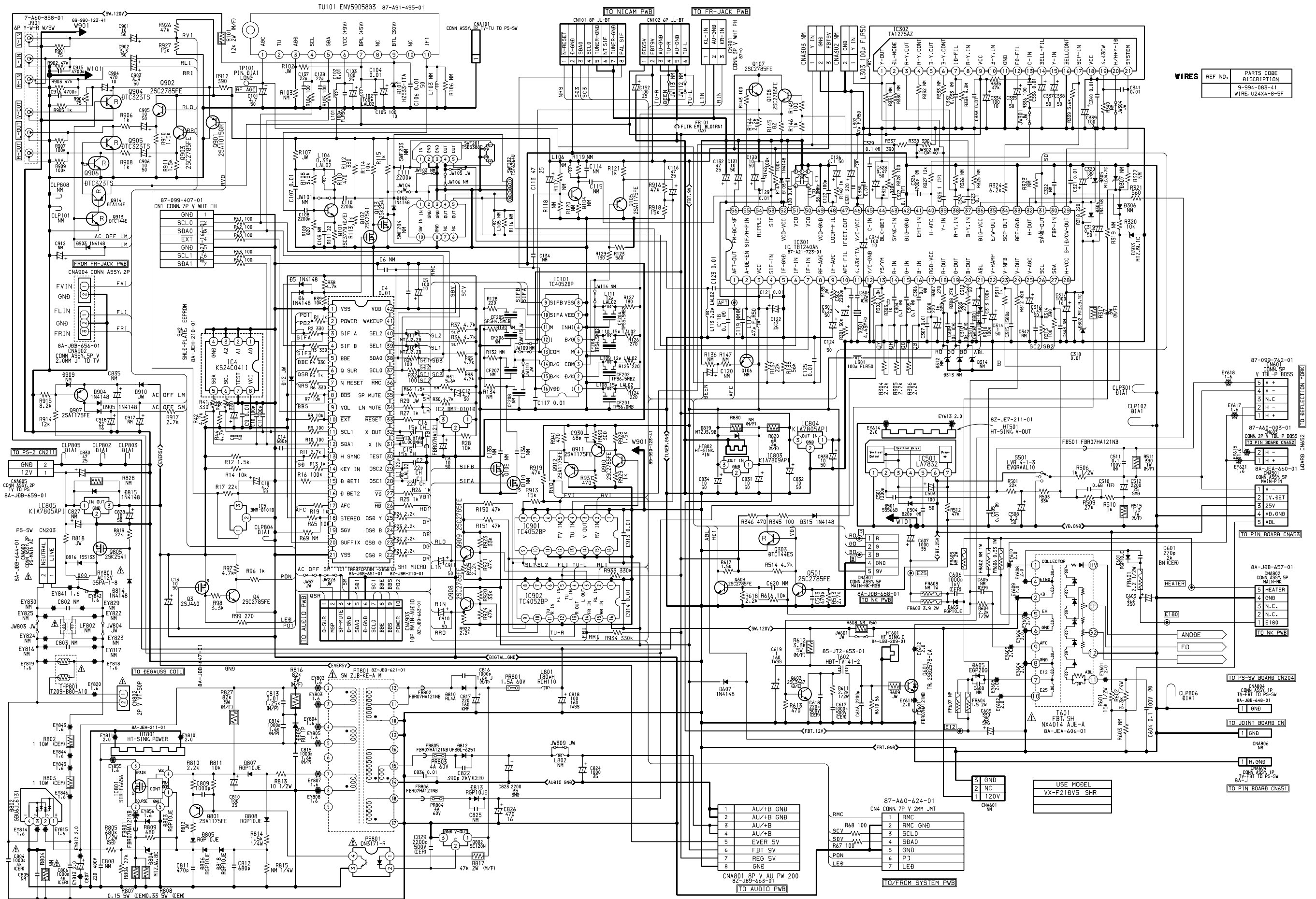
# ELECTRICAL MAIN PARTS LIST - 9

S	715	87-A90-164-080	SW,TACT SKQAB(N)	A.....
S	711	87-A90-164-080	SW,TACT SKQAB(N)	A.....
CN	801	87-009-310-010	CONNECTOR, 4P	A.....
D	801	87-001-161-080	LED SEL2410E	A.....
S	803	87-A90-164-080	SW,TACT SKQAB(N)	A.....
S	807	87-A90-164-080	SW,TACT SKQAB(N)	A.....
S	806	87-A90-164-080	SW,TACT SKQAB(N)	A.....
S	802	87-A90-164-080	SW,TACT SKQAB(N)	A.....
S	804	87-A90-164-080	SW,TACT SKQAB(N)	A.....
S	808	87-A90-164-080	SW,TACT SKQAB(N)	A.....
S	801	87-A90-164-080	SW,TACT SKQAB(N)	A.....
S	805	87-A90-164-080	SW,TACT SKQAB(N)	A.....
W	801	8A-JD1-640-010	F-CABLE,4P 2.0 150MM FR-KEY	A.....
C	7	87-010-133-080	CAP, ELECT 2.2-50V	A.....
C	1	87-010-263-080	CAP, ELECT 100-10V	A.....
C	9	87-010-402-080	CAP, ELECT 2.2-50V	A.....
C	8	87-010-402-080	CAP, ELECT 2.2-50V	A.....
C	2	87-010-831-080	C-CAP,U,0.1-16F	A.....
C	5	87-012-282-080	CAP, U 4700P-50	A.....
C	16	87-010-374-080	CAP, ELECT 47-10V	A.....
C	13	87-010-402-080	CAP, ELECT 2.2-50V	A.....
C	12	87-010-402-080	CAP, ELECT 2.2-50V	A.....
C	10	87-010-402-080	CAP, ELECT 2.2-50V	A.....
C	11	87-010-402-080	CAP, ELECT 2.2-50V	A.....
C	15	87-010-787-080	CAP, U 0.022-25	A.....
C	14	87-A10-781-080	C-CAP,U 0.15-10 K B	A.....
C	21	87-010-133-080	CAP, ELECT 2.2-50V	A.....
C	25	87-010-401-080	CAP, ELECT 1-50V	A.....
C	29	87-010-401-080	CAP, ELECT 1-50V	A.....
C	24	87-010-404-080	CAP, ELECT 4.7-50V	A.....
C	28	87-010-404-080	CAP, ELECT 4.7-50V	A.....
C	22	87-010-529-080	CAP,E 1-50 BP	A.....
C	26	87-010-529-080	CAP,E 1-50 BP	A.....
C	23	87-010-546-080	CAP, ELECT 0.33-50V	A.....
C	27	87-010-546-080	CAP, ELECT 0.33-50V	A.....
C	20	87-012-282-080	CAP, U 4700P-50	A.....
C	31	87-010-263-080	CAP, ELECT 100-10V	A.....
C	33	87-010-374-080	CAP, ELECT 47-10V	A.....
C	39	87-010-829-080	CAP, U 0.047-16	A.....
C	32	87-010-831-080	C-CAP,U,0.1-16F	A.....
C	30	87-012-286-080	CAP, U 0.01-25	A.....
C	34	87-A10-353-080	C-CAP,U0.22-10KB	A.....
C	35	87-A10-353-080	C-CAP,U0.22-10KB	A.....
C	36	87-A10-353-080	C-CAP,U0.22-10KB	A.....
C	49	87-010-235-080	CAP,E 470-16 SME	A.....
C	42	87-012-270-080	CAP, U 470P-50	A.....
C	45	87-012-270-080	CAP, U 470P-50	A.....
C	47	87-012-272-080	C-CAP,U 680P-50 B	A.....
C	48	87-012-272-080	C-CAP,U 680P-50 B	A.....
C	46	87-012-276-080	CAP, CHIP SS 1500 PBK	A.....
C	41	87-012-282-080	CAP, U 4700P-50	A.....
C	40	87-012-286-080	CAP, U 0.01-25	A.....
C	43	87-012-286-080	CAP, U 0.01-25	A.....
C	44	87-012-286-080	CAP, U 0.01-25	A.....
C	58	87-010-260-080	CAP, ELECT 47-25V	A.....
C	54	87-010-402-080	CAP, ELECT 2.2-50V	A.....
C	53	87-010-402-080	CAP, ELECT 2.2-50V	A.....
C	56	87-010-402-080	CAP, ELECT 2.2-50V	A.....
C	57	87-010-402-080	CAP, ELECT 2.2-50V	A.....
C	52	87-010-405-080	CAP, ELECT 10-50V	A.....
C	51	87-010-405-080	CAP, ELECT 10-50V	A.....
C	59	87-012-274-080	CHIP CAP,U 1000P-50B	A.....
C	55	87-012-274-080	CHIP CAP,U 1000P-50B	A.....
C	50	87-012-286-080	CAP, U 0.01-25	A.....
C	61	87-010-378-080	CAP, ELECT 10-16V	A.....
C	60	87-010-378-080	CAP, ELECT 10-16V	A.....
C	63	87-010-401-080	CAP, ELECT 1-50V	A.....
C	62	87-010-401-080	CAP, ELECT 1-50V	A.....
C	69	87-012-274-080	CHIP CAP,U 1000P-50B	A.....
C	68	87-012-274-080	CHIP CAP,U 1000P-50B	A.....
C	64	87-012-283-080	C-CAP,U 5600P-50 B	A.....
C	66	87-012-283-080	C-CAP,U 5600P-50 B	A.....
C	65	87-012-283-080	C-CAP,U 5600P-50 B	A.....
C	67	87-012-283-080	C-CAP,U 5600P-50 B	A.....
C	75	87-010-829-080	CAP, U 0.047-16	A.....
C	74	87-010-829-080	CAP, U 0.047-16	A.....
CN	4	87-009-031-010	CONNECTOR, 3P	A.....
CN	1	87-009-195-010	CONN,5P B5BEH	A.....
CN	5	87-009-309-010	CONN 3P 51048	A.....
CN	7	87-049-469-010	CONN,4P V	A.....
CN	9	87-A61-126-080	MALE, 1P TP42097	A.....
CN	13	87-A61-126-080	MALE, 1P TP42097	A.....
CNA	3	8A-JDB-642-010	CONN ASSY,3P V 2.0MM FR-TV	A.....
CNA	2	8A-JDB-654-010	CONN ASSY,5P V 2.0MM JT TO FRJ	A.....
FB	1	87-A50-208-080	C-COIL,BLM11A601SPT	A.....
IC	3	87-002-727-010	IC,NJM4558L	A.....
IC	1	87-A20-561-040	C-IC,M65847AFP	A.....
IC	2	87-A21-745-010	IC,M65856SP	A.....
J	2	87-A60-271-010	JACK,6.3 MONO W/SW HZJ064277	A.....
J	3	87-A60-420-010	JACK,3.5 ST (MSC)	A.....
J	1	87-A61-435-010	JACK,PIN 3P WHT YKC21-5734 A	A.....
L	1	87-003-149-080	COIL,47UH	A.....
L	3	87-003-149-080	COIL,47UH	A.....

# ELECTRICAL MAIN PARTS LIST - 10

L	2	87-005-440-080	COIL,47UH FLR50	A.....
Q	2	87-A30-060-080	C-TR,KTC3875GR	A.....
Q	3	87-A30-060-080	C-TR,KTC3875GR	A.....
Q	1	87-A30-062-080	C-TR,KRC104S	A.....
R	71	87-A00-667-090	RES,M/F 680-2W J RSF(S)	A.....
R	70	87-A00-667-090	RES,M/F 680-2W J RSF(S)	A.....
W	5	8A-JDB-655-01		A.....
0		F-CABLE,3P 2.0 230MM	FR-JACK A.....	
		87-A50-619-010	DGC,21' 25 OHM-TYPE 8	A.....
		87-A90-332-010	HLDR,SF-2001 HV CABLE	A.....
		8A-JDB-646-010	AC CORD ASSY,KE BLK	A.....
		8A-JEH-660-010	CONN ASSY,2P MAIN-PIN	A.....
		8Z-JE7-609-010	ANODE-CAP,ZJE-7	A.....
		8Z-JE7-610-010	HV-CABLE, 2P ZJE-7FOC-SCR	A.....
*		8Z-JE7-607-110	CONN ASSY,1P CRT-GND	A.....
CNA	4	8A-JDB-643-010	CONN ASSY,3-6P 2.0MM FR-AU	A.....
CNA	2	8A-JDB-649-010	CONN ASSY,4P SPEAKER	A.....
SP	402	8A-JD1-681-010	SPKR,F 4*16 8OHM	A.....
SP	401	8A-JD1-681-010	SPKR,F 4*16 8OHM	A.....
V	551	8A-JEH-606-010	CRT, FLAT-LG	A.....

SCHEMATIC DIAGRAM-1



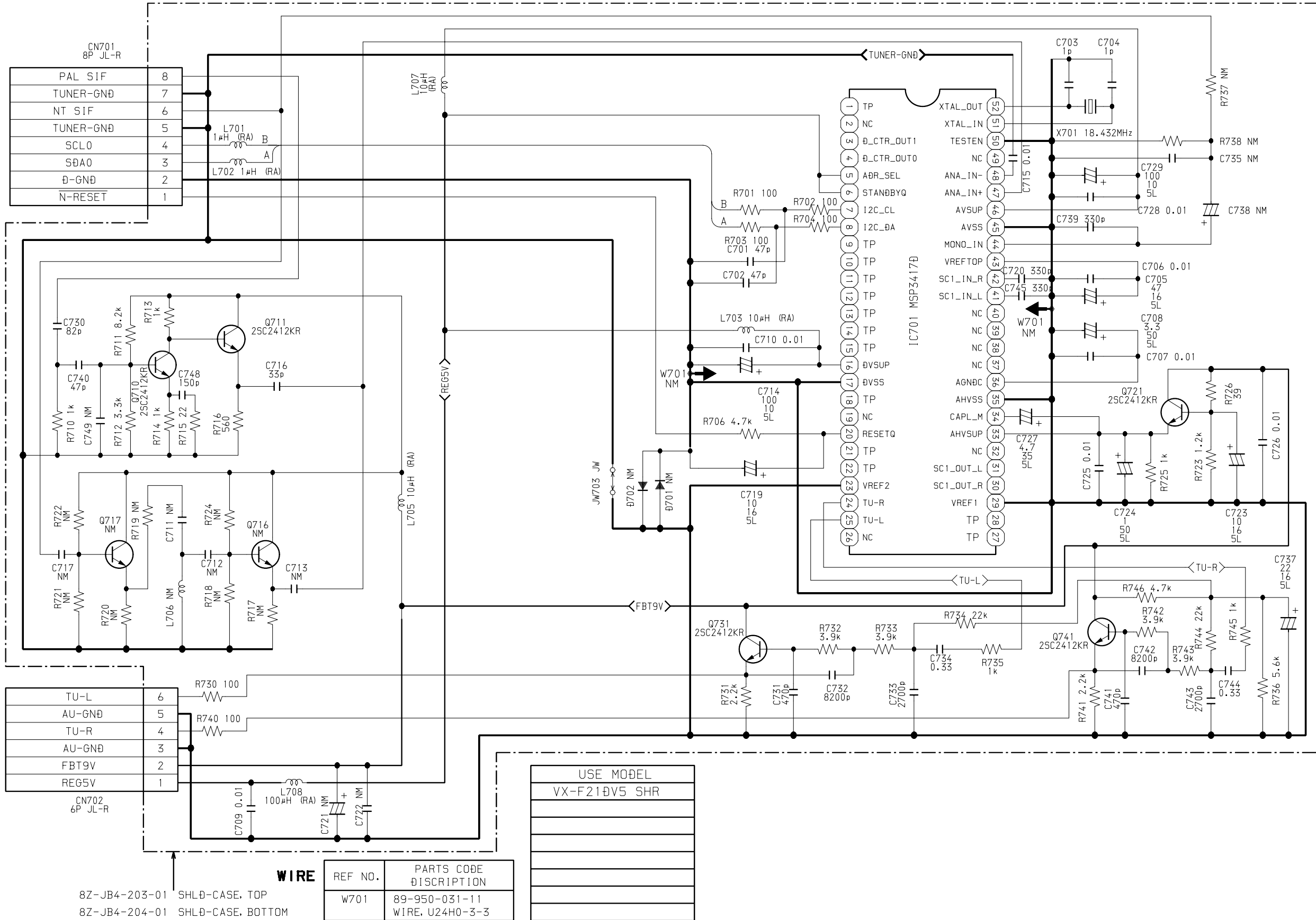
REF. NO.	PARTS CODE	DESCRIPTION
	9-394-085-41	WIRE 42444-8-5F

WIRES

- |   |           |
|---|-----------|
| 1 | AU/+B GND |
| 2 | AU/+B GND |
| 3 | AU/+B GND |
| 4 | AU/+B GND |
| 5 | EVER 5V   |
| 6 | FBT 9V    |
| 7 | REG 5V    |
| 8 | GND       |
- 
- |   |         |
|---|---------|
| 1 | RMC     |
| 2 | RMC GND |
| 3 | SCLO    |
| 4 | SBA0    |
| 5 | GND     |
| 6 | P3      |
| 7 | LED     |

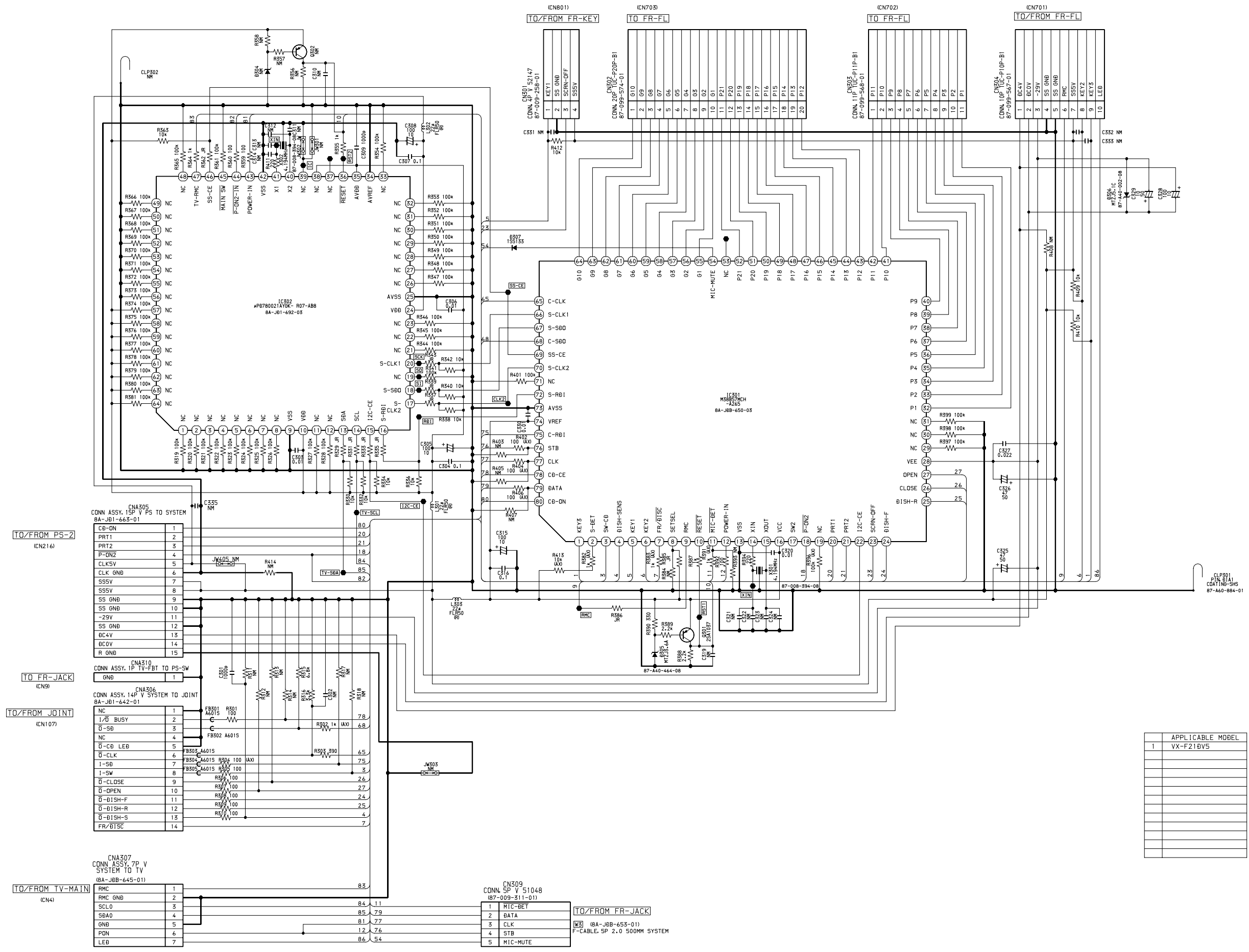
USE MODEL  
VX-F21BVS SHR

SCHEMATIC DIAGRAM-2





SCHEMATIC DIAGRAM-4



TO/FROM PS-2  
(CN216)

TO FR-JACK  
(CN9)

TO/FROM JOINT  
(CN107)

TO/FROM TV-MAIN  
(CN4)

TO/FROM FR-JACK  
(CN501)

APPLICABLE MODEL	
1	VX-F21DV5

USE REF.	
C	301~335
X	301~302
D	304~307
FB	301~305
CNA	305~306, 310
L	301~303, 307~309
CN	301~304
R	301~399, 401~414
IC	301~302
JW	301~358, 360~406
Q	301~302
W	306~308
CLP	301, 302

REF. 300~499  
BUS 1~86

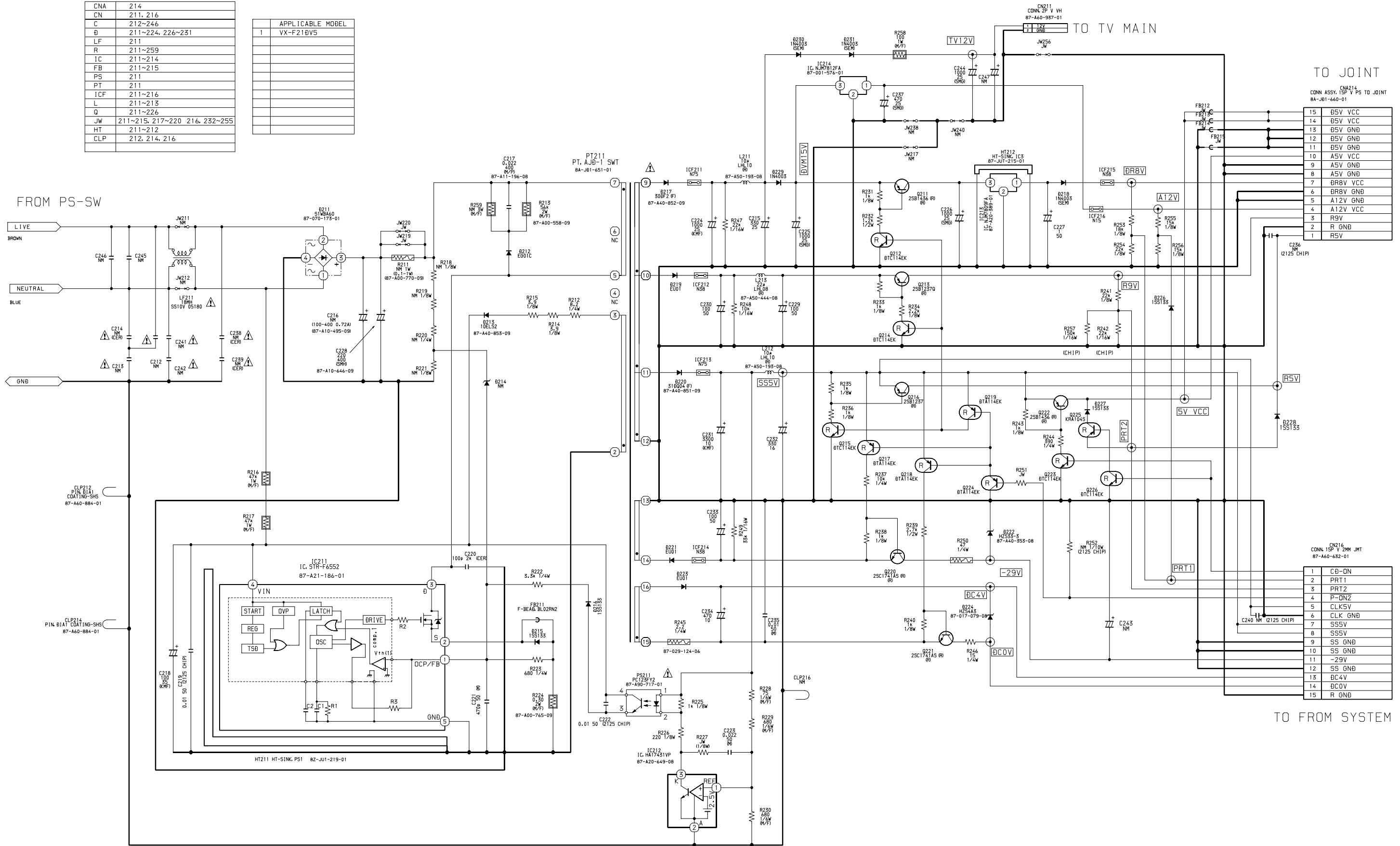




SCHEMATIC DIAGRAM-6

CNA	214
CN	211, 216
C	212~246
D	211~224, 226~231
LF	211
R	211~259
IC	211~214
FB	211~215
PS	211
PT	211
ICF	211~216
L	211~213
Q	211~226
JW	211~215, 217~220, 216, 232~255
HT	211~212
CLP	212, 214, 216

APPLICABLE MODEL	
1	VX-F210V5



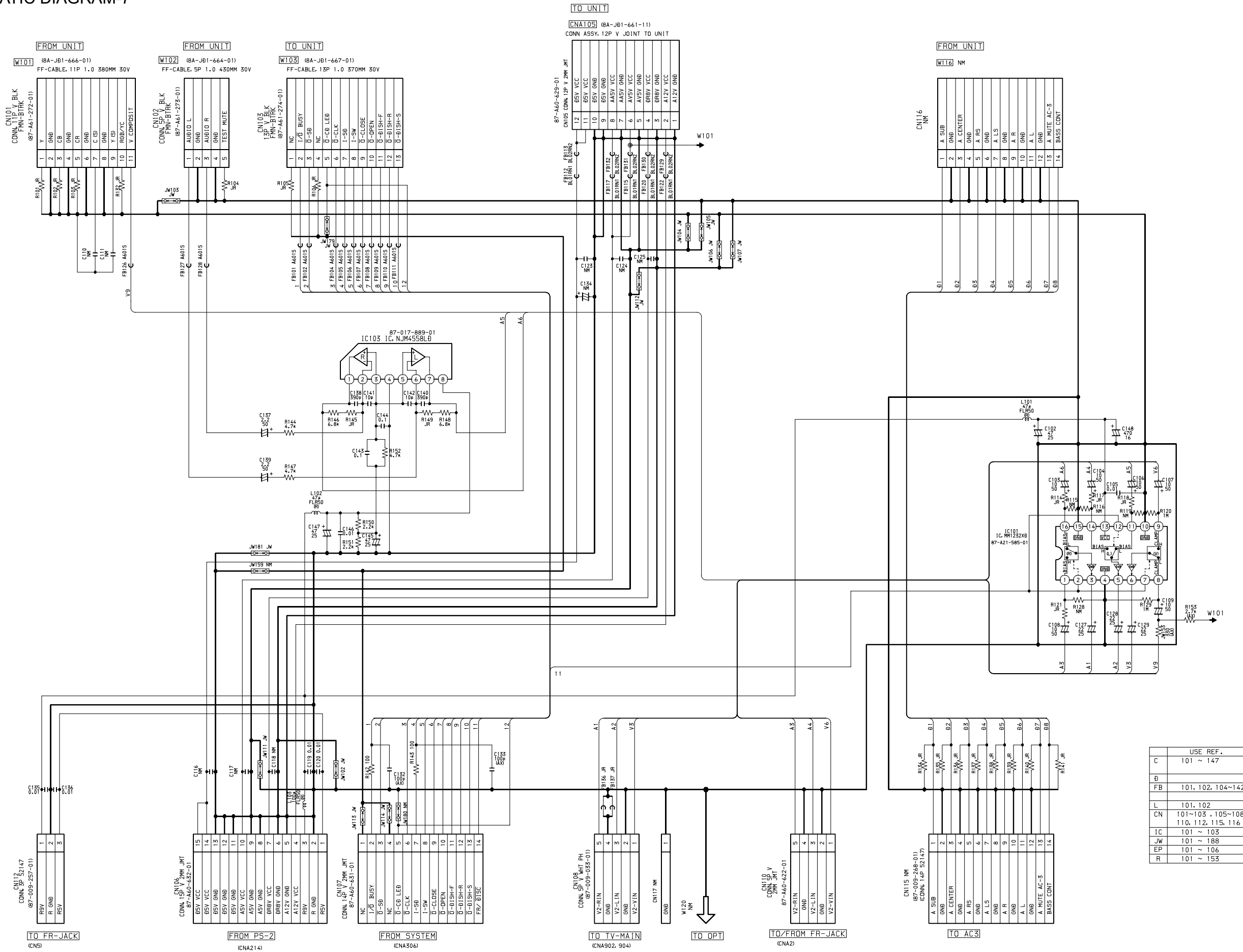
TO JOINT

CONN ASSY. 15P V PS TO JOINT	
15	B5V VCC
14	B5V VCC
13	B5V GND
12	B5V GND
11	B5V GND
10	ASV VCC
9	ASV GND
8	ASV GND
7	BR8V VCC
6	BR8V GND
5	A12V GND
4	A12V VCC
3	R9V
2	R GND
1	R5V

CONN 15P 2MM JMT	
1	CB-ON
2	PRT1
3	PRT2
4	P-ONZ
5	CLKSV
6	CLK GND
7	SS5V
8	SS5V
9	SS GND
10	SS GND
11	-29V
12	SS GND
13	BC4V
14	BC0V
15	R GND

TO FROM SYSTEM

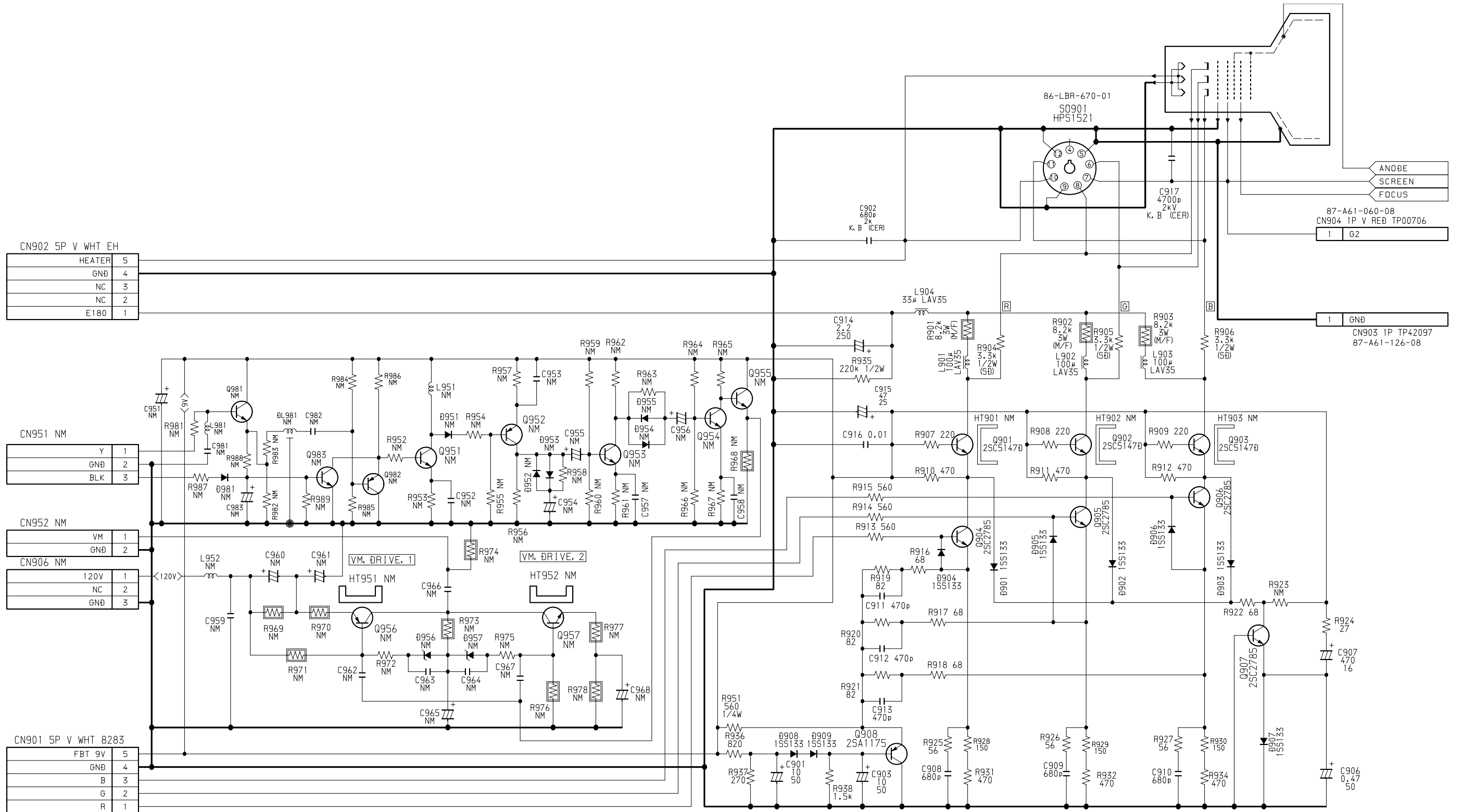
SCHEMATIC DIAGRAM-7



USE REF.	
C	101 ~ 147
B	
FB	101, 102, 104~142
L	101, 102
CN	101~103, 105~108 110, 112, 115, 116
IC	101 ~ 103
JW	101 ~ 188
EP	101 ~ 106
R	101 ~ 153

APPLICABLE MODEL	
	VX-F210V5

SCHEMATIC DIAGRAM-8



CN902 5P V WHT EH	
HEATER	5
GND	4
NC	3
NC	2
E180	1

CN951 NM	
Y	1
GND	2
BLK	3

CN952 NM	
VM	1
GND	2

CN906 NM	
120V	1
NC	2
GND	3

CN901 5P V WHT 8283	
FBT 9V	5
GND	4
B	3
G	2
R	1

ANODE	
SCREEN	
FOCUS	
87-A61-060-08	
CN904 1P V RED TP00706	
1	G2

1	GND
CN903 1P TP42097	
87-A61-126-08	

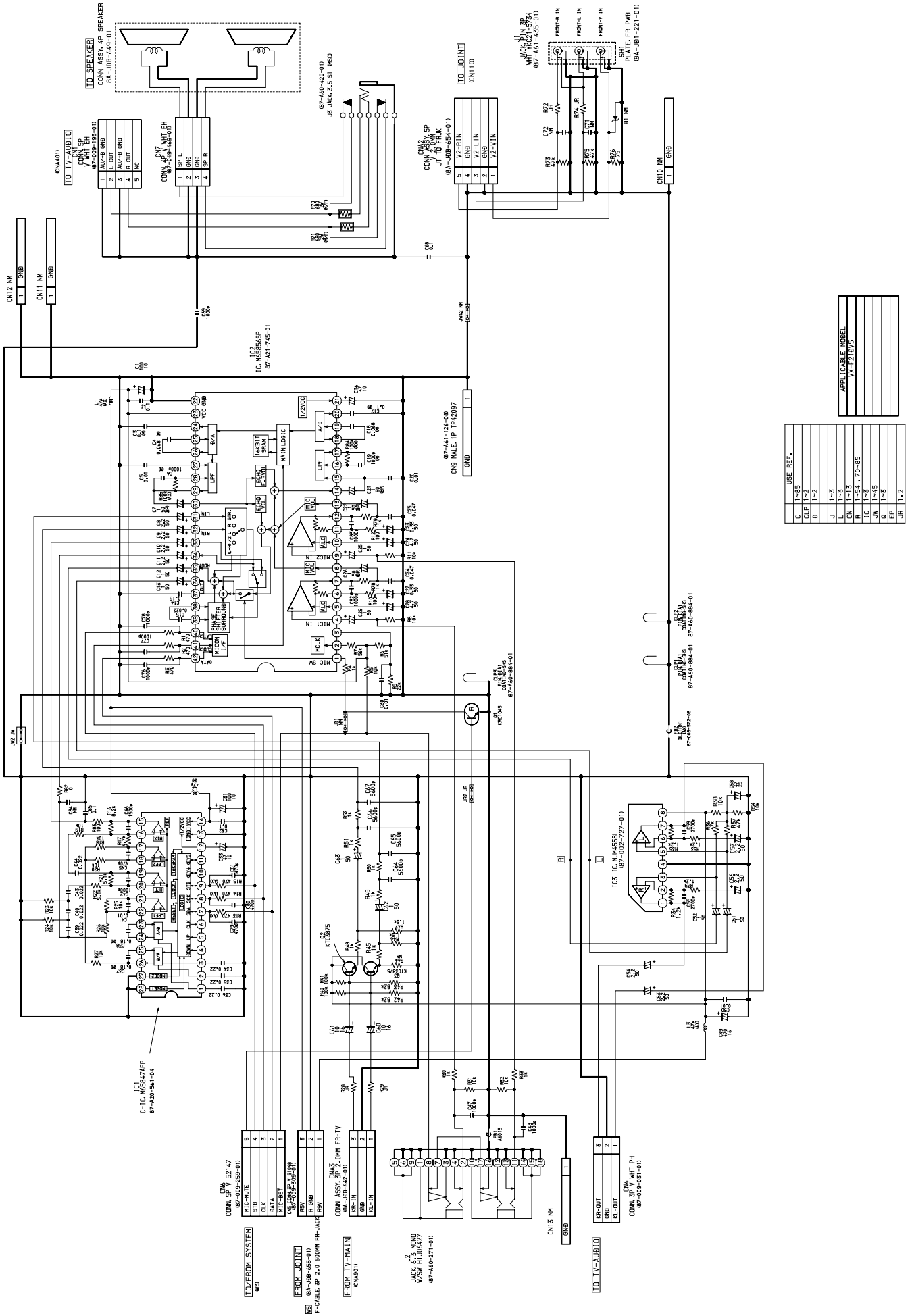
PWB, NK SH/SHR

USE MODEL
VX-F21DV5 SHR





# SCHEMATIC DIAGRAM-11



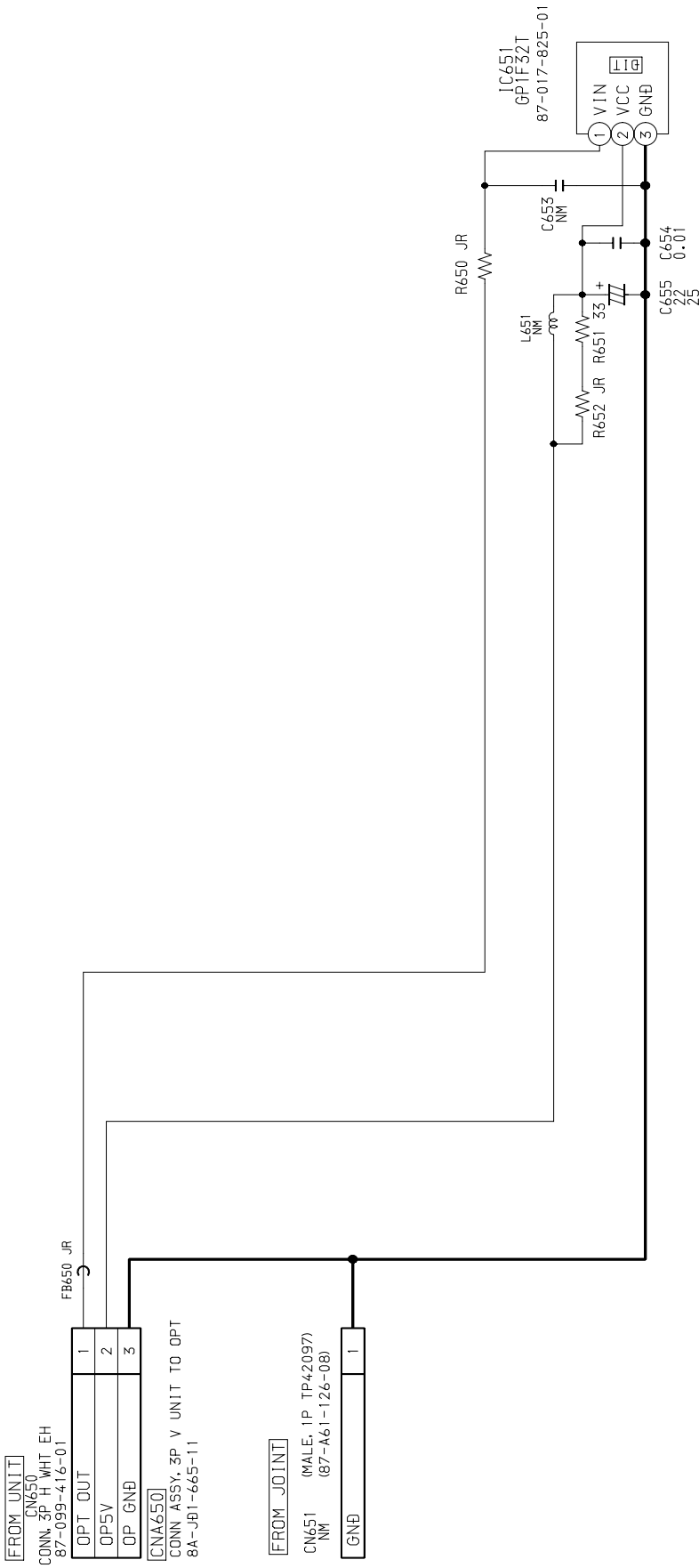
USE REF.	
C	1-95
CLP	1-2
D	1-2
J	1-5
L	1-5
CN	1-5, 7, 70-85
IC	1-5
JM	1-45
SP	1-5
STR	1, 2

APPLICABLE MODEL	
VX-F71 DV5	



SCHEMATIC DIAGRAM-13



	USE REF.
C	653~655
D	
FB	650
J	
L	651
CN	650, 651
R	650~652
IC	651
JW	
Q	651~655
EP	650

APPLICABLE MODEL
VX-F21EV5



# MECHANICAL PARTS LIST - 1

NOTE: The characters in the suffix column indicate the part usage.

SHRJ2M .....XX.....A.....

REF.NO	PARTS NO.	NO.	DESCRIPTION	SUFFIX
	8A-JDB-005-010		PLATE, REAR 2	A.....
	8A-JD1-004-010		PANEL, REAR 1	A.....
	8A-JD1-005-110		PANEL, REAR 2	A.....
	8A-JD1-011-010		COVER, PLAY KEY	A.....
	8A-JD1-014-010		LENS, SCREEN	A.....
	8A-JD1-015-010		LENS, LED	A.....
	8A-JD1-030-010		BTN, PLAY 2	A.....
	8A-JD1-031-010		KEY, SCREEN MS682	A.....
	8A-JD1-033-010		KEY, VOL MS682	A.....
	8A-JD1-034-010		KEY, STOP MS682	A.....
	8A-JD1-035-010		BTN, POWER MS682	A.....
	8A-JDB-001-010		CABL, FR MS104	A.....
	8A-JDB-002-010		PANEL, MAIN MS104	A.....
	8A-JDB-003-010		KEY, MAIN MS682	A.....
	8A-JDB-006-010		PANEL, TRAY DVD MS104	A.....
	8A-JGB-002-010		WINDOW, DISPLAY VCD	A.....
	8A-JGB-003-010		KEY, KARAOKE	A.....
	8Z-HU1-033-010		BADGE, DVD	A.....
	8Z-JE7-008-010		BADGE, AIWA ST 52.5	A.....
	8Z-JS1-002-110		CABL, REAR	A.....
	83-JT1-217-010		SPR-E, EARTH	A.....
	8A-JD1-201-010		KEY, PLAY	A.....
	8A-JD1-202-110		FRAME, TV	A.....
	8A-JD1-203-010		FRAME, POWER	A.....
	8A-JD1-204-010		HLDR, PWB	A.....
	8A-JD1-206-010		HLDR, MECH L	A.....
	8A-JD1-207-010		HLDR, MECH R	A.....
	8A-JD1-208-010		FRAME, MECH FR	A.....
	8A-JD1-209-010		FRAME, MECH BK	A.....
	8A-JD1-210-010		FRAME, MECH L	A.....
	8A-JD1-211-010		FRAME, MECH R	A.....
	8A-JD1-215-010		SPR-C, POWER	A.....
	8A-JD1-226-010		PLATE, FRAME BK	A.....
	8Z-JBS-205-010		W-G, 10-20-2	A.....
	86-LBB-206-010		S-SCREW, ASSY TV5-40 W20	A.....
	87-067-680-010		BVI T3+3-10	A.....
	87-067-690-010		TAPPING SCREW, BVIT3+3-12	A.....
	87-067-761-010		TAPPING SCREW, BVT2+3-10	A.....
	87-067-844-010		BVT2+4-16 BLK	A.....
	87-078-070-010		BVIT3B+4-12	A.....
	87-B10-090-010		BVIT3B+3-12 GOLD	A.....
	8Z-AV1-215-010		S-SCREW, IT3B+3-8 ZN	A.....
	87-067-680-010		BVI T3+3-10	A.....
	87-B10-090-010		BVIT3B+3-12 GOLD	A.....
	87-067-703-010		TAPPING SCREW, BVT2+3-10	A.....
	87-067-579-010		TAPPING SCREW, BVT2+3-8	A.....
W	102	8A-JD1-664-010	FF-CABLE, 5P 1.0 400MM 30V	A.....
W	101	8A-JD1-666-010	FF-CABLE, 11P 1.0 400MM 30V	A.....
W	103	8A-JD1-667-010	FF-CABLE, 13P 1.0 400MM 30V	A.....
W	3	8A-JDB-653-010	F-CABLE, 5P 2.0 200MM SYSTEM	A.....
		87-067-579-010	TAPPING SCREW, BVT2+3-8	A.....
		87-067-641-010	UTT2+3-8 (W/O SLOT) BL	A.....
W	801	8A-JD1-640-010	F-CABLE, 4P 2.0 150MM FR-KEY	A.....
W	5	8A-JDB-655-010	F-CABLE, 3P 2.0 230MM FR-JACK	A.....
		87-A50-619-010	DGC, 21' 25 OHM-TYPE 8	A.....
		87-A90-332-010	HLDR, SF-2001 HV CABLE	A.....
		8A-JDB-646-010	AC CORD ASSY, KE BLK	A.....
		8A-JEH-660-010	CONN ASSY, 2P MAIN-PIN	A.....
		8Z-JE7-609-010	ANODE-CAP, ZJE-7	A.....
		8Z-JE7-610-010	HV-CABLE, 2P ZJE-7FOC-SCR	A.....

# ACCESSORIES LIST

NOTE: The characters in the suffix column indicate the part usage.

SHRJ2M .....XX.....A.....

REF.NO	PARTS NO.	NO.	DESCRIPTION	SUFFIX
	8A-JDB-901-010		IB,HR 3L(E/C/A)	A.....
	8A-JDB-670-010		RC UNIT,RC-AVC11	A.....

アイワ株式会社 〒110-8710 東京都台東区池之端1-2-11 ☎03(3827)3111 (代表)

**AIWA CO.,LTD.** 2F11, IKENOHATA 1DCHOME, TAITO-KU, TOKYO 110-8710, JAPAN TEL:03(3827)3111